

Sensepoint

Honeywell



The Sensepoint range of flammable, toxic and Oxygen gas detectors offers users a cost-effective solution to their gas monitoring needs

Sensepoint



One-Stop Shop

- Flammable, toxic and Oxygen versions available
- Suitable for indoor or outdoor use
- IP65 as standard

Proven Sensor Technology

- Surecell™ electrochemical sensors
- Poison resistant catalytic bead
- Fast and reliable
- Typical 2 to 5 years operational life

ATEX Certified

- Complies with the latest European standards
- Hazardous area and performance approvals
- Can be used for uncertified applications

Easy to Use

- Factory set operation
- Simple sensor replacement
- Minimal training required

Friendly Installation

- Universal junction box
- One box, three entries
- Metric and NPT compatibility
- Includes earth continuity plate for enhanced protection against RFI

Range of Accessories

- Weather Housing (IP66)
- Flow adaptor
- Collecting cone

The Sensepoint range of flammable, toxic and Oxygen gas detectors offers users a cost-effective solution to their gas monitoring needs, in or out of doors and even in potentially explosive atmospheres. Supplied with a pre-wired junction box, this detector can be installed using conduit or armoured cable and glands depending on the specific needs of the application.

Sensepoint flammable and toxic gas detectors are designed for use in potentially explosive atmospheres, and allow for easy access to terminals via the hinged lid of the junction box. Installation should follow national guidelines using suitably approved armoured cable and glands or conduit.

Supplied with an earth continuity plate for increased resistance to the effects of RFI, the junction box offers the installer a choice of ½", ¾" and M20 connection via conduit or armoured cable and Ex e certified cable glands. Terminals are suitable for use with screened 0.5mm² (20AWG) to 2.5mm² (14AWG) cross sectional area cable, as needed to ensure minimum operating voltage at the detector, depending upon installed cable length.

Sensepoint flammable, toxic and Oxygen gas detectors are designed for direct connection with the Honeywell Analytics' range of Touchpoint controllers.

Contact Honeywell Analytics for details.



Installation Details

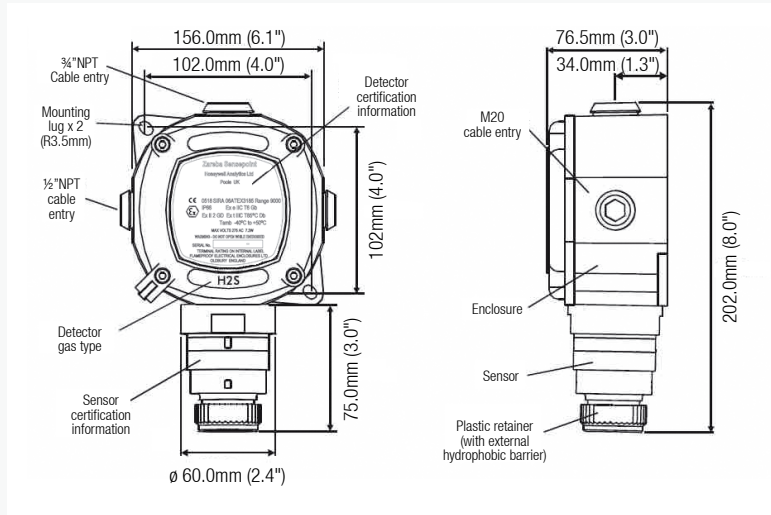


Dimensions

Sensepoint flammable and toxic gas detectors offer multiple cable entry sizes as standard and allow for quick and easy installation via the hinged lid of the junction box.

The junction box is suitable for mounting onto any suitable flat surface able to support the weight of the unit such that when installed, the sensor is in a downward position. For ceiling mounting an optional bracket is available to allow for this.

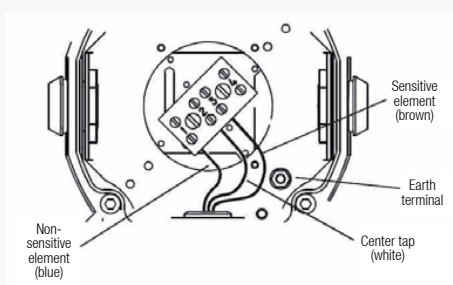
Cable can be entered into the junction boxes via a gland or conduit through one or more positions in the top or sides of the unit.



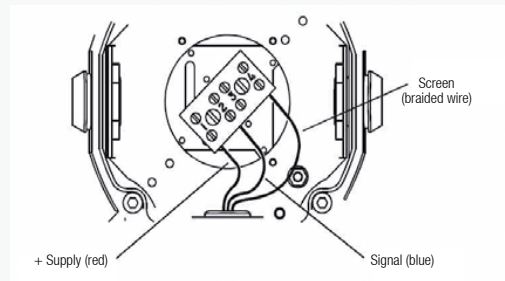
Flammable version

Toxic and Oxygen version

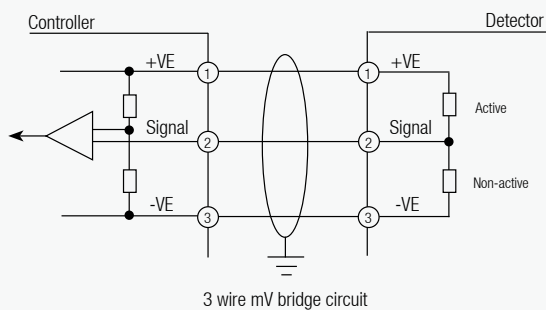
Terminal arrangement



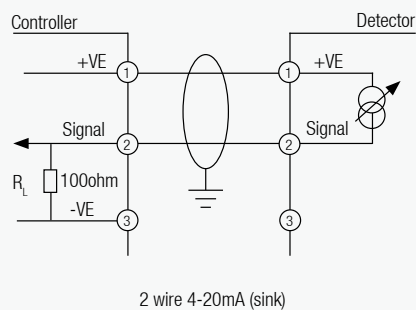
Terminal arrangement



Electrical connections



Electrical connections



Technical Summary



General specification					
Use		Cost-effective, fixed point gas detector for the protection of personnel and plant from flammable, toxic and Oxygen gas hazards			
Detectable gases					
Gas	Measuring range			Operating temperature*	
Ident Name	1#	2	3	Min	Max
F Flammable	0-100% LEL			-40°C / -40°F	50°C / 122°F
O Oxygen	0-25% VOL			-15°C / 5°F	40°C / 104°F
C Carbon Monoxide +	0-200ppm	0-500ppm		-20°C / -4°F	50°C / 122°F
H Hydrogen Sulphide +	0-50ppm	0-20ppm	0-100ppm	-25°C / -13°F	50°C / 122°F
G Hydrogen	0-1000ppm			-5°C / 23°F	40°C / 104°F
L Chlorine	0-5ppm	0-15ppm		-20°C / -4°F	50°C / 122°F
S Sulphur Dioxide	0-15ppm	0-50ppm		-15°C / 5°F	40°C / 104°F
N Nitrogen Dioxide	0-10ppm			-15°C / 5°F	40°C / 104°F
A Ammonia	0-50ppm	0-1000ppm		-20°C / -4°F	40°C / 104°F
+ SureCell™ Sensing Technology		*Standard range		*Check certified temperature	
Construction					
Electrical	Flammable (0-100%LEL) 3 wire mV bridge 2.9-3.5V, 0.7W 200mA constant current		Toxic & Oxygen 2 wire loop powered 4-20mA (plus screen) 16-30Vdc, 0.9W		Junction Box Earth continuity plate BK4 terminal block (4 way) 4 x 0.5mm ² (20AWG) to 2.5mm ² (14AWG) 1 x M20, 1 x ¾" NPT, 1 x ½" NPT
Material	Polyphenylene Sulphide (PPS)		Polyphenylene Sulphide (PPS)		Fire retardant GFP
Weight	190g		185g (205g Oxygen)		600g
Certification	II 2GD Ex d IIC T6 Gb Ex tb IIIC A21 Db IP67 T85°C (T _{amb} -40°C to +55°C) or T100°C (T _{amb} -40°C to +70°C) or T135°C (T _{amb} -40°C to +80°C) Baseefa08ATEX0265X IECEX BAS08.0068X		Ex d ia IIC T4 Gb T _{amb} -40°C to +65°C Ex tb IIIC A21 IP67 T135°C Db Baseefa08ATEX0263X IECEX BAS08.0070X		II 2GD Ex e IIC T6 Gb T _{amb} -40°C to +50°C Ex t IIIC T85°C Db IP66 Sira 06ATEX3185
Applicable standards	This product complies with the relevant CE standards including: EMC to EN50270, Flammable to EN60079-29-1, Toxic to EN445544 (H ₂ S only)				
Environmental					
IP rating	IP65 standard, IP66 with weather protection in accordance with EN60529:1992				
Operating temperature	Dependent upon gas type and certification				
Operating humidity range	Continuous: 20-90% RH (non condensing), Intermittent: 10-99% RH (non condensing)				
Operating pressure	90-110kPa				
Storage conditions	Instrument -40°C to +50°C (-40°F to +122°F)				

*Oxygen detection products must only be used to detect Oxygen depletion in air



Ordering Information



Ordering Information

e.g. SPSTAX **H** **1** = SPSTXX**H1**

GAS TYPE	RANGE
F Flammable	1 } Refer to
O Oxygen	2 } Detectable Gases
C Carbon Monoxide	
H Hydrogen Sulphide	3 } Table Above
G Hydrogen	
L Chlorine	
S Sulphur Dioxide	
N Nitrogen Dioxide	

Standard Supply	Each detector is supplied complete with junction box, multiple cable entries, earth continuity plate, hinged lid and instruction leaflet, all sealed in a plastic bag inside a shipping carton	
Shipping Details	Shipping carton dimensions: 160mm (6.3") (L) x 215mm (8.5") (W) x 80mm (3.1") (D) Approximate weight: 800g	
Optional Accessories	02000-A-1645	Calibration gas flow housing (for flammable & toxic)
	00780-A-0160	Right angle mounting bracket for ceiling mounting
	02000-A-1640	Weather Housing for use with flammable detector including remote gassing nozzle
	02000-A-1635	Weather Housing for use with toxic/Oxygen detector including remote gassing nozzle
	02000-A-1642	Collecting cone for use with flammable detector
Calibration Equipment	Contact Honeywell Analytics Representative	

